

# KEEN PUMP "K3PFC"

Self-Priming Centrifugal Pump  
 Size: 3" x 3", Solids: 2-1/2"

<b>DISCHARGE</b>	3" x 3", 125 lb. Flange
<b>LIQUID TEMPERATURE</b>	160°F
<b>CASING</b>	Gray Iron ASTM A-48, Class 30 - Maximum operating pressure 87 psi
<b>IMPELLER</b>	2 Vane, open type. Material: Ductile Iron
<b>SHAFT</b>	Alloy steel
<b>SHAFT SLEEVE</b>	Stainless steel
<b>WEAR PLATE</b>	Replaceable, steel
<b>COVER PLATE</b>	Gray Iron ASTM A-48, Class 30, Removable, Adjustable, Weight 30 lbs.
<b>FLAP VALVE</b>	Neoprene with steel reinforcing
<b>BEARING HOUSING</b>	Gray Iron ASTM A-48, Class 30
<b>SEAL PLATE</b>	Gray Iron ASTM A-48, Class 30
<b>BEARING - PUMP END</b>	Open single ball, radial load
<b>BEARING - DRIVE END</b>	Open single ball, thrust load
<b>LUBRICATION</b>	Bearing - SAE No.30 non-detergent oil, pump includes oil level sight gauge
<b>GASKETS</b>	Buna-N, compressed synthetic fibers, PTFE, vegetable fiber, cork and rubber
<b>O-RINGS</b>	Buna-N
<b>HARDWARE</b>	Standard plated steel
<b>PRESSURE RELIEF VALVE</b>	Brass
<b>SEAL</b>	Cartridge type, mechanical, oil lubricated. Material: Tungsten carbide rotating and stationary faces, viton elastomers (Dupont Viton® or equivalent). Stainless steel cage and spring.
<b>OPTIONAL EQUIPMENT</b>	Flexible coupled assy, with base OSHA guard and electric motor.

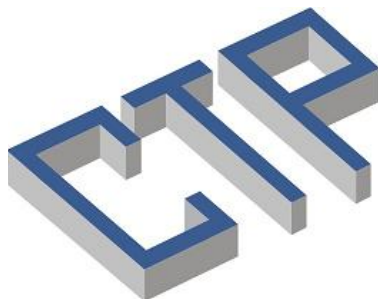


### Description

Self-priming centrifugal solids-handling pump designed for Municipal and Industrial applications.

**WARNING! DO NOT use in explosive atmosphere or for pumping volatile flammable liquids.**

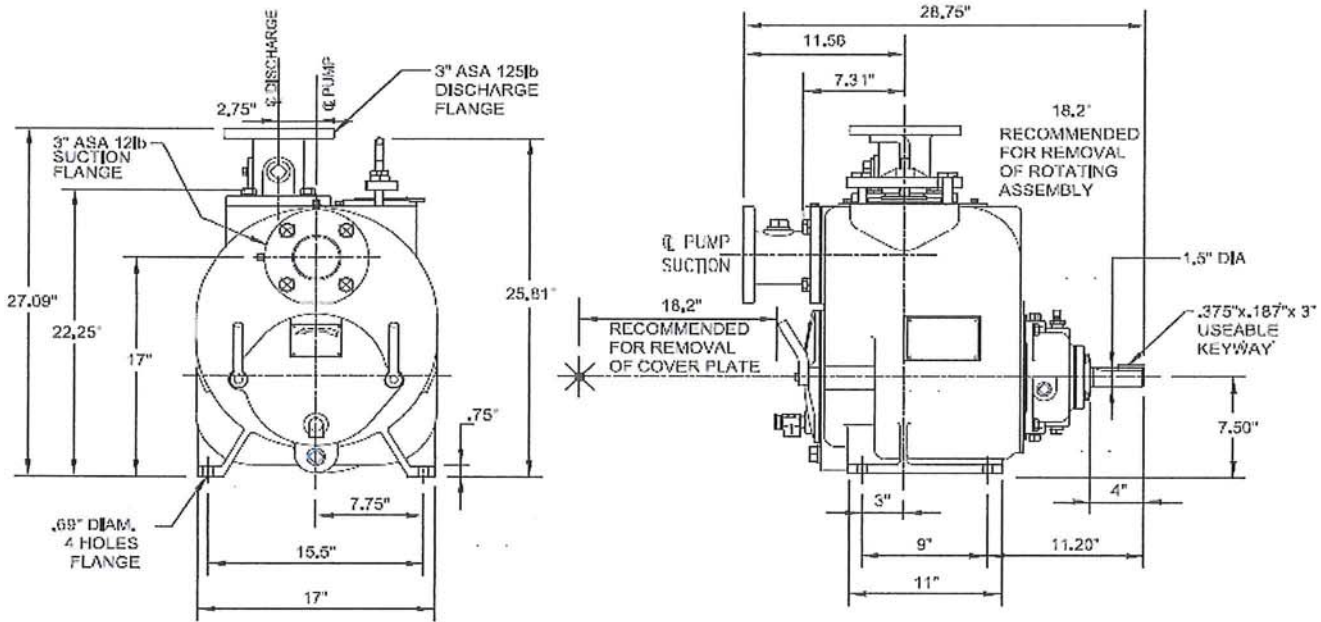
**Series: PFC**  
**Size: 3" x 3"**  
**Self-Priming**  
**Centrifugal Pump**



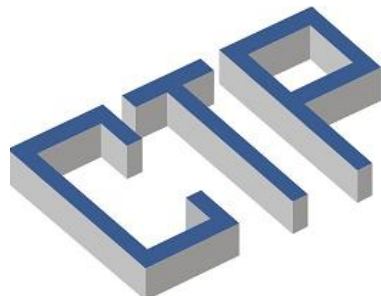
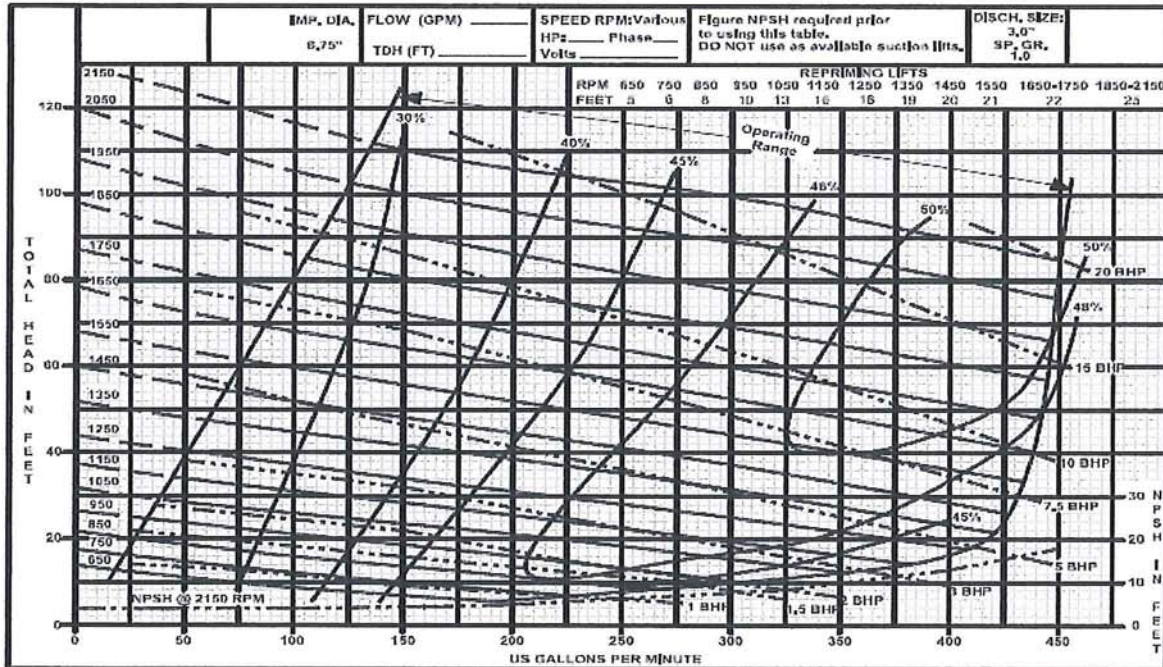
**CALKINS TECHNICAL**  
**PRODUCTS, INC.**  
 Since 1980

# KEEN PUMP "K3PFC"

If-Priming Centrifugal Pump  
 Size: 3" x 3", Solids: 2-1/2"



75" Impeller Dia - Standard, Various RPM



CALKINS TECHNICAL  
 PRODUCTS, INC.  
 Since 1980